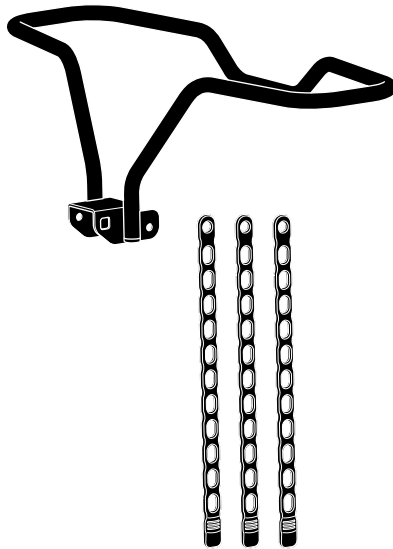
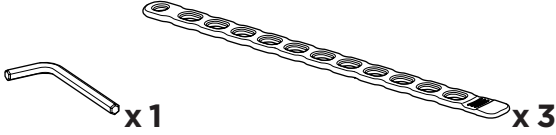
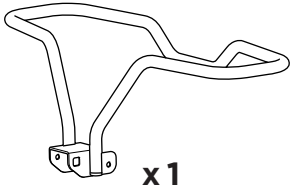


> Instructions

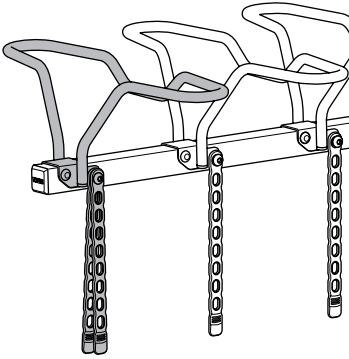
Thule ReVert fatbike wheel basket 9020540



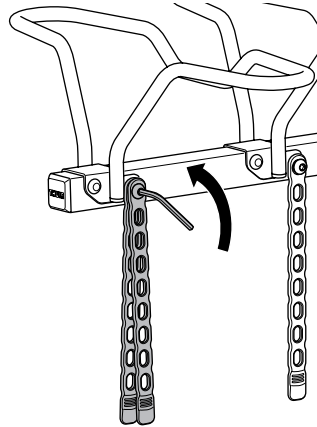
i



1

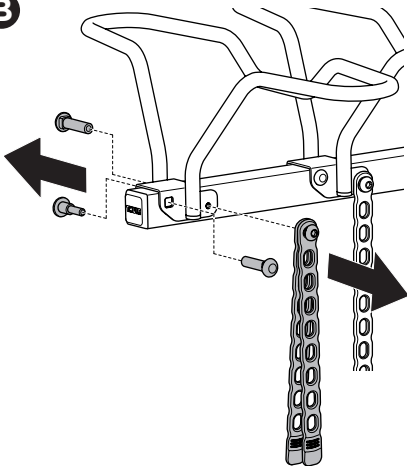


A

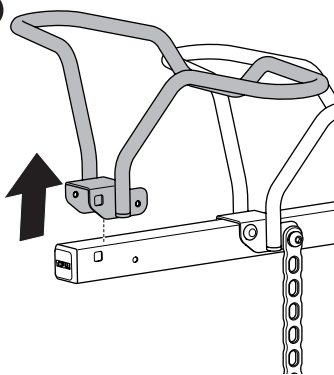


x 2

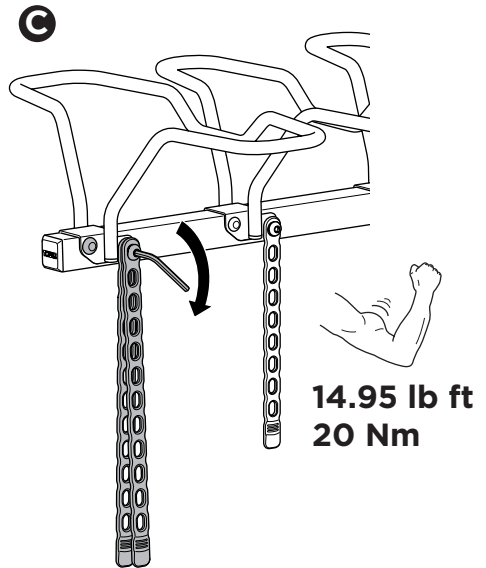
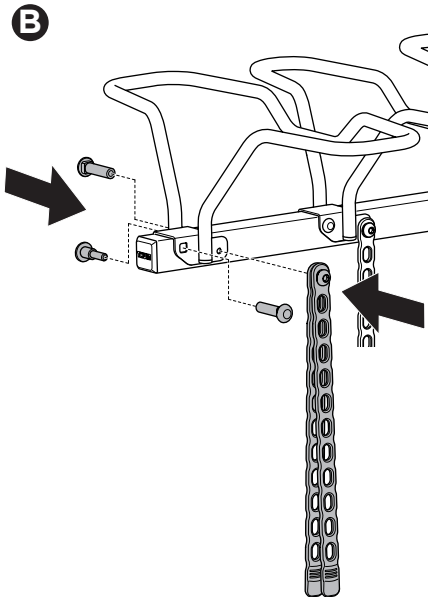
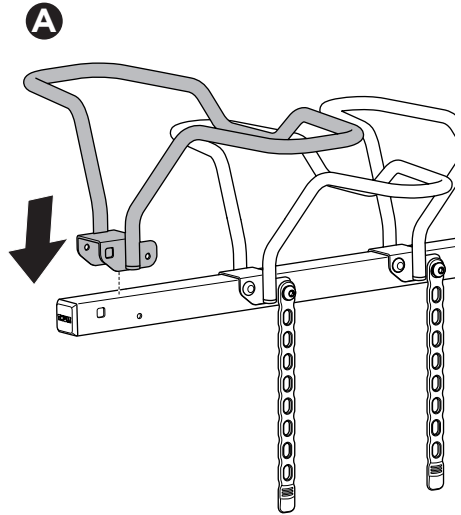
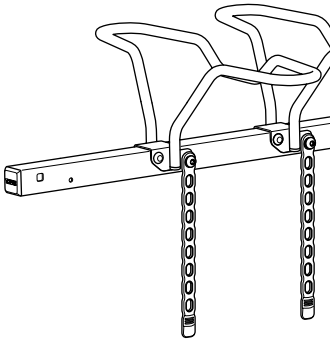
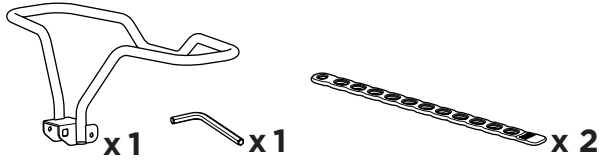
B



C

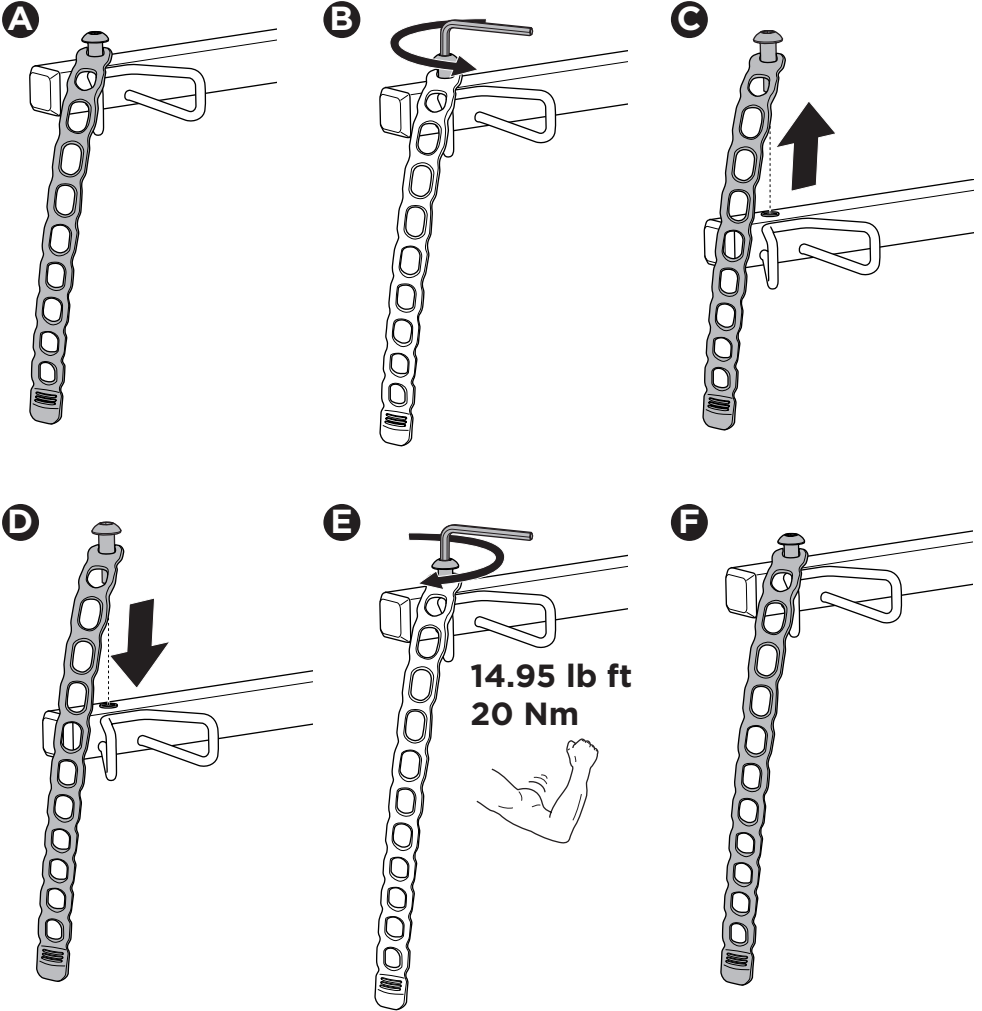


2



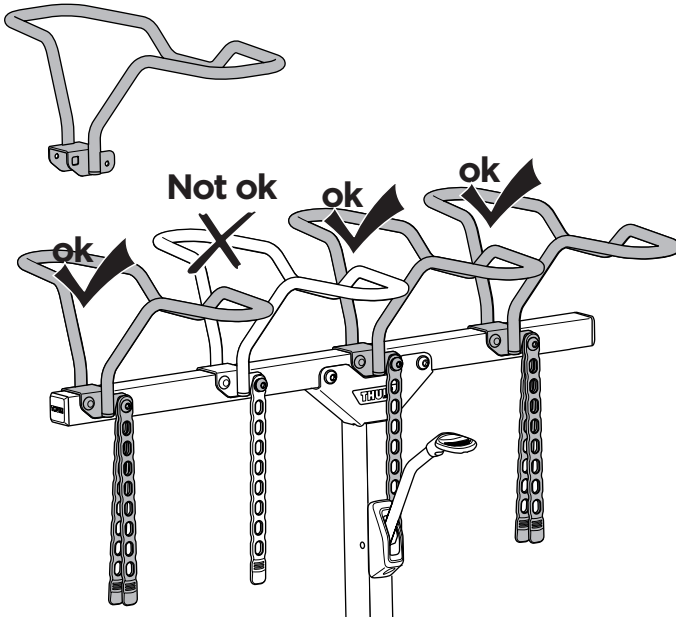
x 2

3

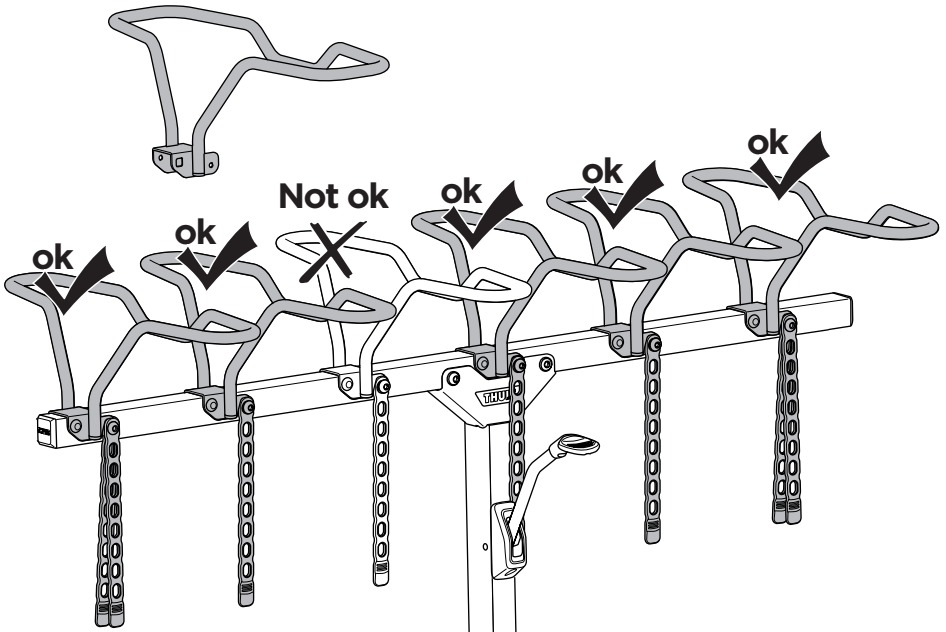




9024500



9026500



Thule Inc. 42 Silvermine Road, Seymour, CT 06483
Thule Canada Inc. 710 Bernard, Granby QC J2J 0H6
North American Consumer Service:
Toll Free 800-238-2388, Fax 450-777-3615
www.thule.com

Register online at:
www.thule.com/register

© Thule Group. All rights reserved.
5564003001 | 2025-06-09 #03

» PART OF THULE GROUP